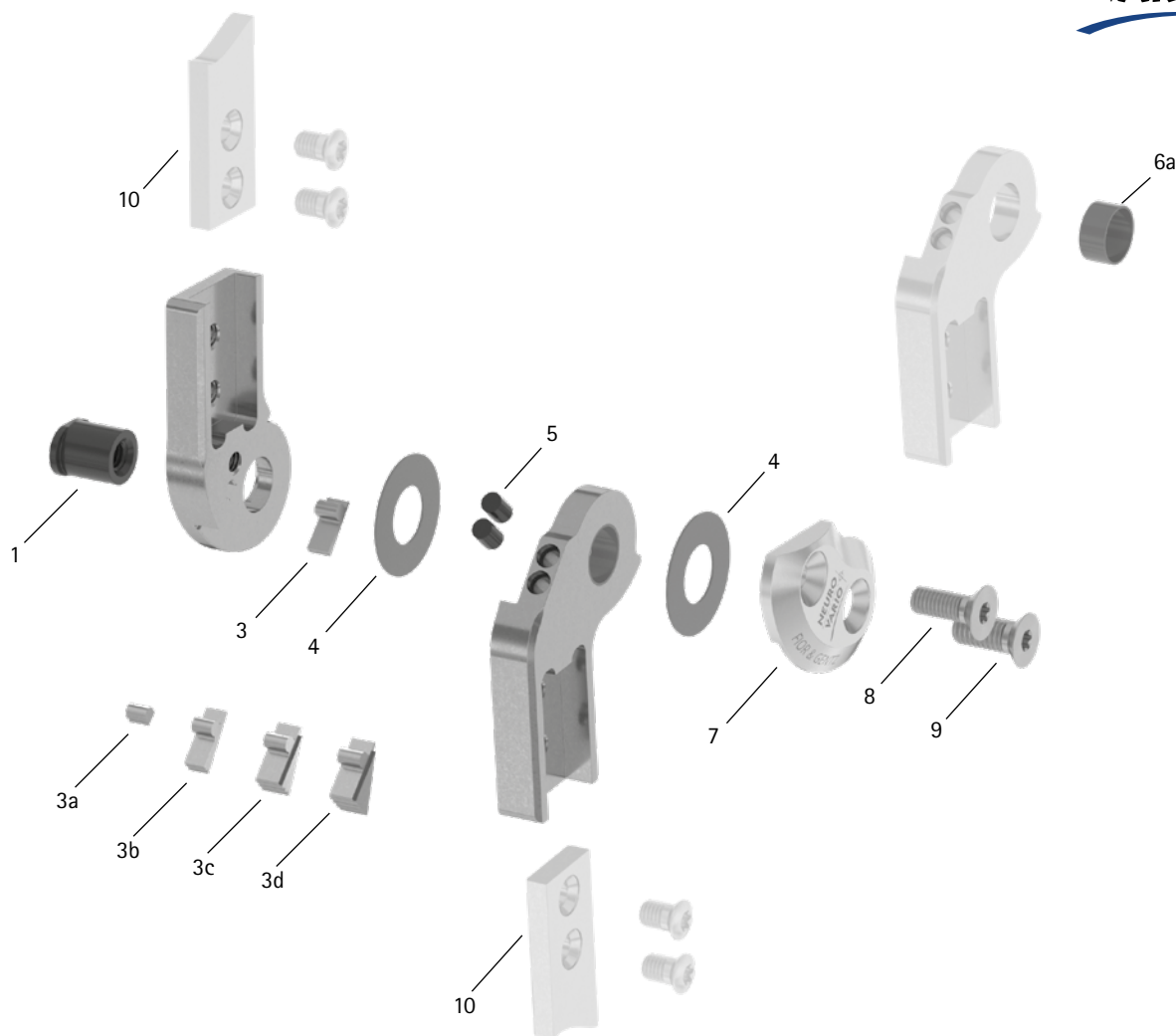


patient commission/configuration ID _____



Item	12mm	Description	Potential Problem	Measure	Inspection/ Replacement, If Necessary	Latest Replace- ment after
System Joint						
1	SB8559-L0930	bearing nut	wear	replacing	every 6 months	36 months
3a	SJ9021-E000	0° extension stop	wear	replacing	every 6 months	-
3	SK9521-E005	5° extension stop				
3b	SK9521-E010	10° extension stop				
3c	SK9521-E020	20° extension stop				
3d	SK9521-E030	30° extension stop				
4	GS1609-040	sliding washer, $\varnothing = 16\text{mm}$	wear	replacing	every 6 months	18 months
4	GS1609-045					
4	GS1609-050					
4	GS1609-055					
4	GS1609-060					
5	PN1000-L05/5	extension stop damper	wear	replacing	every 6 months	18 months
6a	BP1009-L050	sliding bushing	wear	replacing	every 6 months	18 months
7	SK0191-L/AL	cover plate, left lateral or right medial, aluminium	wear	replacing	every 6 months	36 months
7	SK0191-R/AL	cover plate, left medial or right lateral, aluminium				
8	SC1404-L12	countersunk flat head screw with hexalobular socket	wear	replacing	every 6 months	36 months
9	SC1405-L12	countersunk flat head screw, hexalobular socket (axle screw)			every 6 months	36 months
System Anchors and System Side Bars						
10	see catalogue	system anchor and system side bar	wear or breakage	replacing	every 6 months	-

WP0071-GB-2021-12