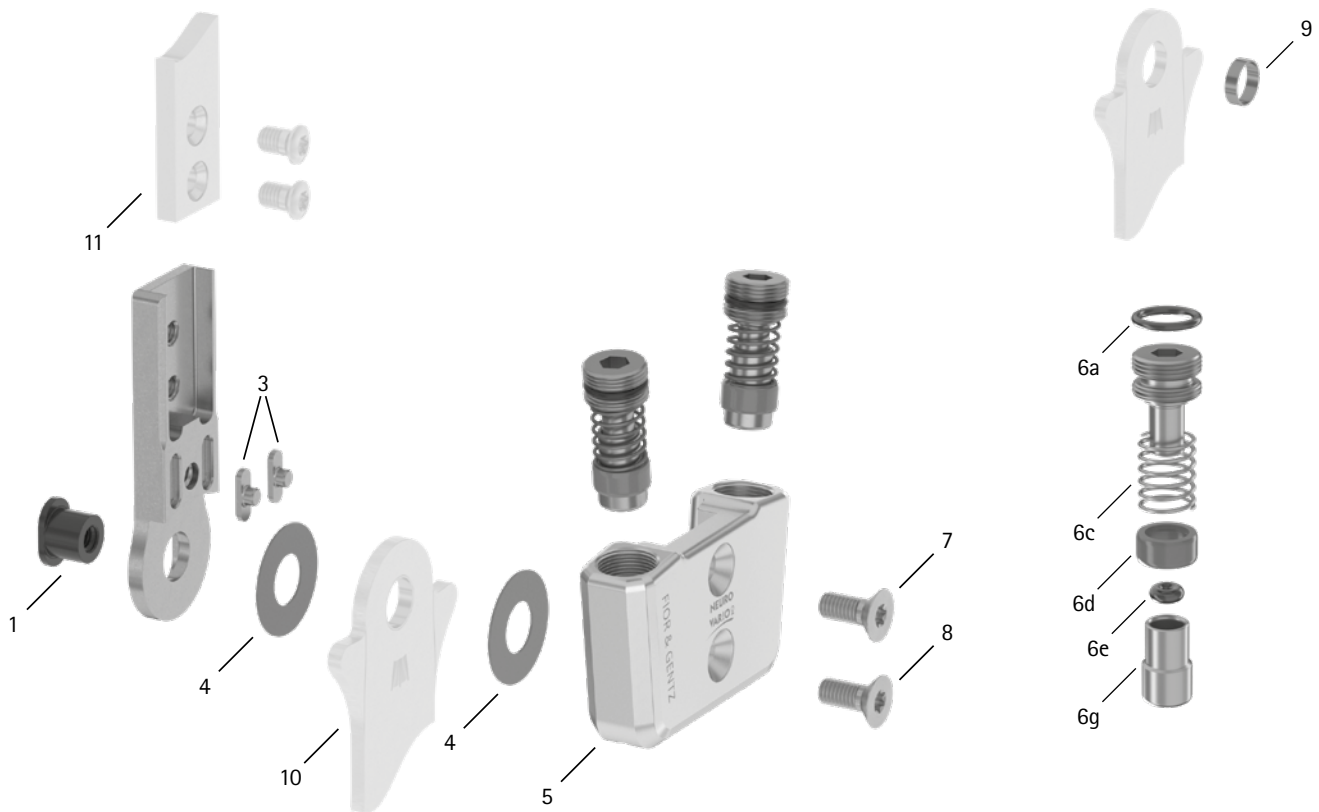


patient commission/configuration ID \_\_\_\_\_



Item	14mm	Description	Potential Problem	Measure	Inspection/ Replacement, If Necessary	Latest Replace- ment after
<b>System Joint</b>						
1	SB8559-L0630	bearing nut	wear	replacing	every 6 months	36 months
3	SF0392-02	feather key with pin	breakage	replacing	every 6 months	36 months
4	GS2009-040	sliding washer, Ø = 14mm	wear	replacing	every 6 months	18 months
4	GS2009-045					
4	GS2009-050					
4	GS2009-055					
4	GS2009-060					
5	SF0662-AL	cover plate	wear	replacing	every 6 months	36 months
6a	VE3771-08/15	O-ring for securing the alignment screw	wear	replacing	every 6 months	18 months
6c	FE1916-01	pressure spring	wear	replacing	every 6 months	18 months
6d	GS1007-350	sliding bushing	wear	replacing	every 6 months	18 months
6e	PN0005-L02	stop damper	wear	replacing	every 6 months	18 months
6g	SH0492-01	plunger	wear	replacing	every 6 months	-
7	SC1405-L11	countersunk flat head screw with hexalobular socket	wear	replacing	every 6 months	36 months
8	SC1405-L11	countersunk flat head screw with hexalobular socket (axle screw)			every 6 months	36 months
<b>System Stirrups, System Anchors and System Side Bars</b>						
9	BR1009-L025	sliding bushing	wear	replacing	every 6 months	18 months
10	see catalogue	system stirrup	wear or breakage	replacing	every 6 months	48 months
11	see catalogue	system anchor and system side bar	wear or breakage	replacing	every 6 months	-