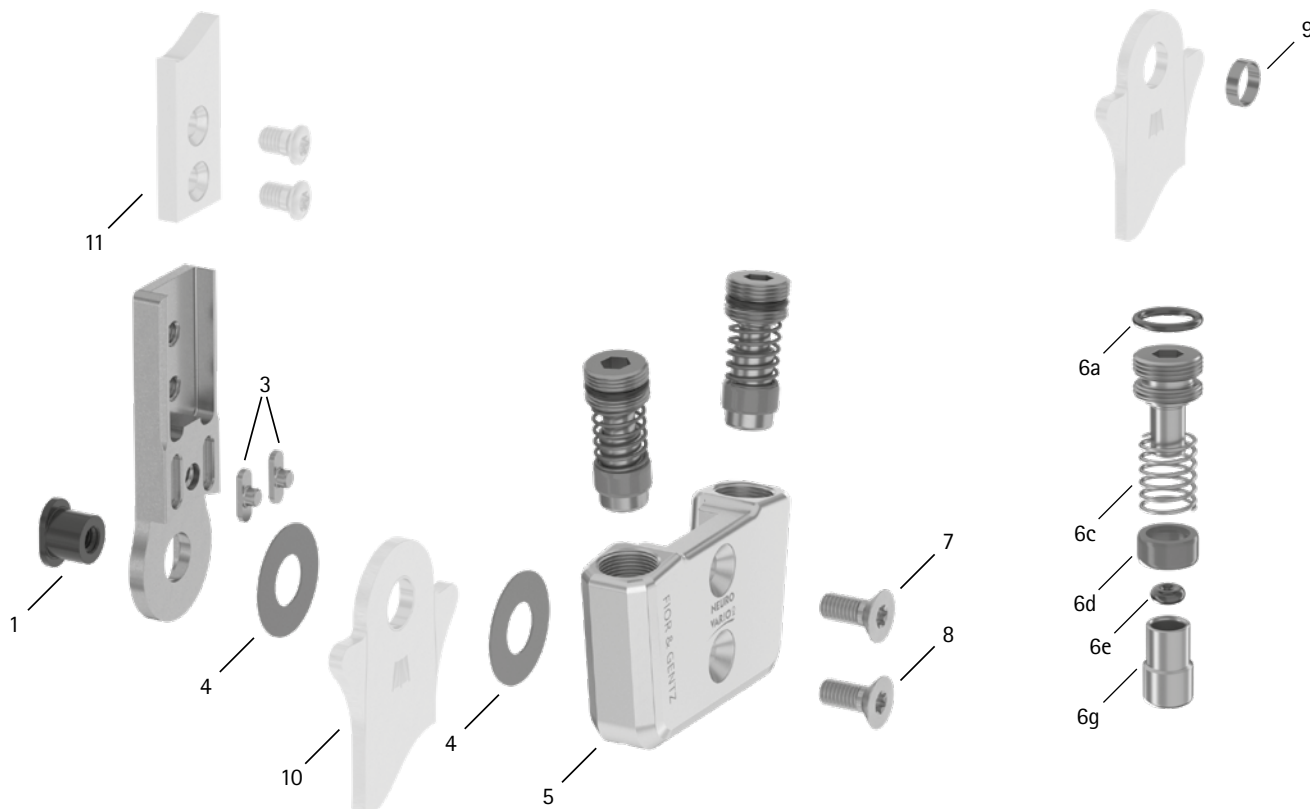


patient commission/configuration ID _____



Item	16mm	Description	Potential Problem	Measure	Inspection/ Replacement, If Necessary	Latest Replace- ment after
System Joint						
1	SB9669-L0760	bearing nut	wear	replacing	every 6 months	36 months
3	SF0393-02	feather key with pin	breakage	replacing	every 6 months	36 months
4	GS2210-040	sliding washer, Ø = 14mm	wear	replacing	every 6 months	18 months
4	GS2210-045					
4	GS2210-050					
4	GS2210-055					
4	GS2210-060					
5	SF0663-AL	cover plate	wear	replacing	every 6 months	36 months
6a	VE3771-09/15	O-ring for securing the alignment screw	wear	replacing	every 6 months	18 months
6c	FE1027-01	pressure spring	wear	replacing	every 6 months	18 months
6d	GS1108-500	sliding bushing	wear	replacing	every 6 months	18 months
6e	VE3771-012/26	O-ring damper	wear	replacing	every 6 months	18 months
6g	SH0493-01	plunger	wear	replacing	every 6 months	-
7	SC1405-L12	countersunk flat head screw with hexalobular socket	wear	replacing	every 6 months	36 months
8	SC1405-L12	countersunk flat head screw with hexalobular socket (axle screw)			every 6 months	36 months
System Stirrups, System Anchors and System Side Bars						
9	BR1110-L030	sliding bushing	wear	replacing	every 6 months	18 months
10	see catalogue	system stirrup	wear or breakage	replacing	every 6 months	48 months
11	see catalogue	system anchor and system side bar	wear or breakage	replacing	every 6 months	-

WP0051-GB-2021-12