

NEURO LOCK

NEURO LOCK MAX

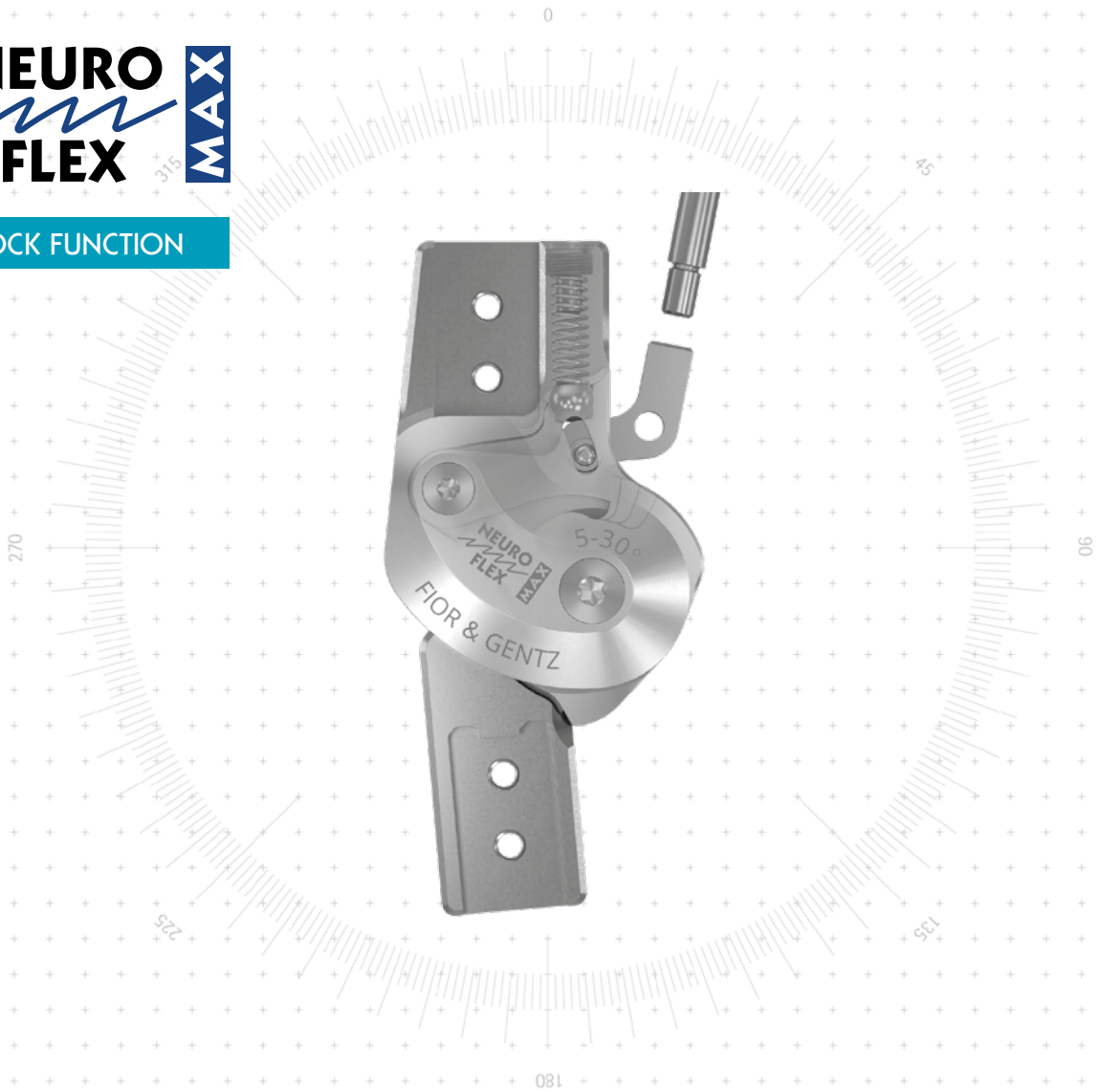
NEURO FLEX MAX  
Lock Function

NEURO FLEX MAX  
Step Lock Function

NEURO LOCK H<sub>2</sub>O



LOCK FUNCTION



Main Function



lock function  
monocentric, locked with posterior offset

- unlocking via lock lever/pulling cable
- permanent unlocking via lock lever/pulling cable and locating pin
- locked in 5° extension

Functions for Locked System Joints



exchangeable flexion stop disc, can be adjusted by filing

Type of Extension Stop



static extension stop, exchangeable

Adjustment Options

flexion angle can be adjusted, as required, in a variety of ways (0°, 10°, 20°, 30°) by exchanging the extension stop and filing the premounted flexion stop disc

Alternative Function

limitation of the maximum knee flexion angle (50°–90°) in 10° steps by mounting the flexion stop disc AF and the cover plate AF as well as filing the flexion stop disc AF at the second stop if necessary (different flexion angles are possible by exchanging the extension stop and filing the flexion stop disc AF at the first stop)

The NEURO FLEX MAX system knee joint with lock function can be converted into a NEURO FLEX MAX system knee joint with step lock function by exchanging the locking pawl and flexion stop disc for the step lock pawl and step lock stop disc.



NEURO LOCK

NEURO LOCK MAX

NEURO FLEX MAX  
Lock Function

NEURO FLEX MAX  
Step Lock Function

NEURO LOCK H<sub>2</sub>O

# System Knee Joints NEURO FLEX MAX Lock Function

NEURO LOCK

NEURO LOCK MAX



12mm



14mm



16mm



20mm

## Joint Dimensions [mm]

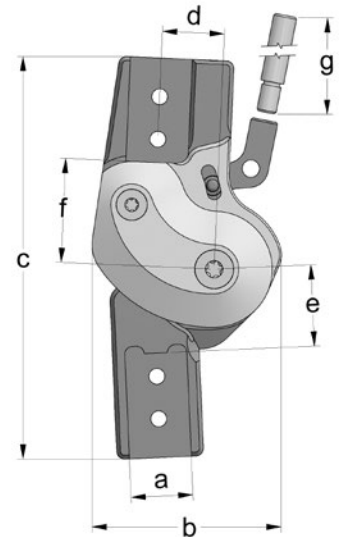
Dimension	Description	System Width a			
		12mm	14mm	16mm	20mm
b	joint head width	37	42.5	49	59
c	joint height	76	90	104	119
d	posterior offset*	12	14	16	20
e	distance pivot point – lower system case	15	17.5	21	23.5
f	distance pivot point – upper system case	21	24	27	33
g	lever length	200	200	200	200
	joint thickness	13	14	16	17.5

\* important for the permanent unlock function

## Joint Weights\*\* [g]

Material	Unit	System Width			
		12mm	14mm	16mm	20mm
titanium	piece	59	88	136	221

\*\* without lever extension



NEURO FLEX MAX  
Lock Function

NEURO FLEX MAX  
Step Lock Function

The NEURO FLEX MAX system knee joint with lock function is delivered with the following articles:

- pan head screw for exchanging extension stops
- AGOMET® F330, 5g
- orthosis joint grease, 3g
- assembly/lamination dummy
- lever extension
- connecting tube for lever extension\*\*\*

\*\*\* only with system joints for left lateral or right medial

- ➔ Please order system side bars/anchors separately.
- ➔ You will find pulling cables and pulling cable adaptors on catalogue page G30.7f.
- ➔ You will find system side bars/anchors on catalogue page I1ff.

G30.3

NEURO LOCK H<sub>2</sub>O

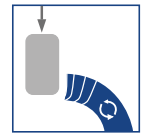


straight  
fig. 1



bent inwards distally  
fig. 2

Straight (Fig. 1)						
Material	Leg Side	Unit	Article Number for System Width			
			12mm	14mm	16mm	20mm
titanium	left lateral or right medial	piece	SK7301-L/TI	SK7302-L/TI	SK7303-L/TI	SK7305-L/TI
	left medial or right lateral	piece	SK7301-R/TI	SK7302-R/TI	SK7303-R/TI	SK7305-R/TI



Bent Inwards Distally (Fig. 2)						
Material	Leg Side	Unit	Article Number for System Width			
			12mm	14mm	16mm	20mm
titanium	left lateral or right medial	piece	SK7321-L/TI	SK7322-L/TI	SK7323-L/TI	SK7325-L/TI
	left medial or right lateral	piece	SK7321-R/TI	SK7322-R/TI	SK7323-R/TI	SK7325-R/TI



NEURO LOCK

NEURO LOCK MAX

NEURO FLEX MAX  
Lock Function

NEURO FLEX MAX  
Step Lock Function

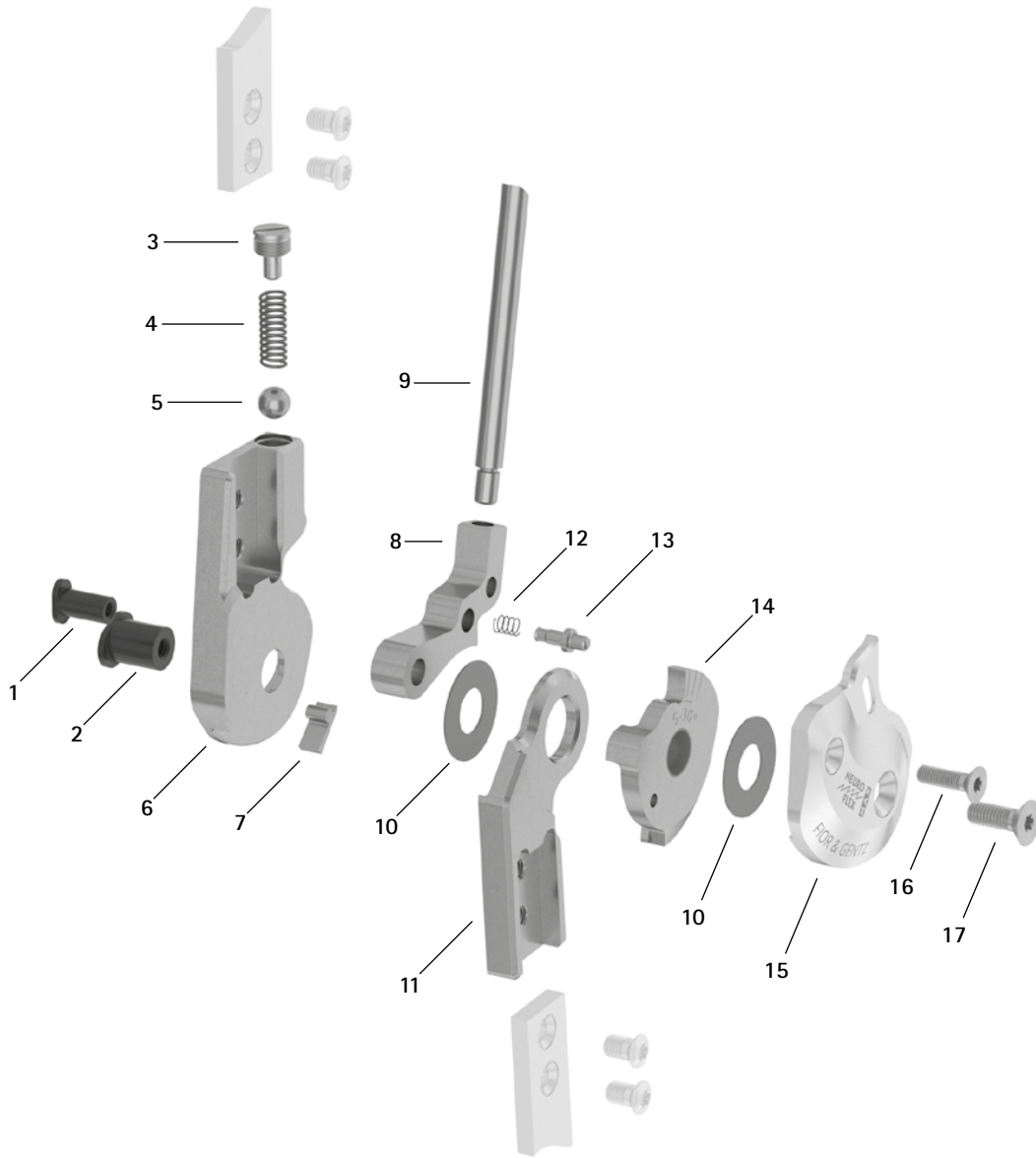
NEURO LOCK H<sub>2</sub>O

NEURO LOCK

NEURO LOCK MAX

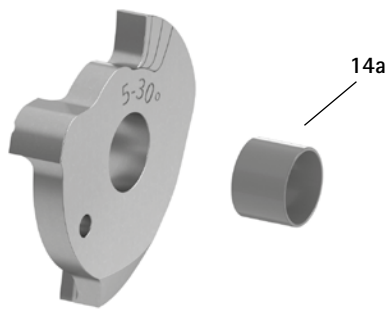
NEURO FLEX MAX  
Lock Function

Spare Parts



NEURO FLEX MAX  
Step Lock Function

Flexion Stop Disc with Sliding Bushing, Preassembled (14)



NEURO LOCK H<sub>2</sub>O

Spare Parts					
Item	Article Number for System Width				Description
	12mm	14mm	16mm	20mm	
1	SB6049-L0850	SB6049-L0950	SB6049-L1130	SB8559-L1290	bearing nut (locking pawl)
2	SB7049-L0850	SB8559-L0950	SB9669-L1130	SB1069-L1290	bearing nut (joint axis)
3	SC2106-L04	SC2107-L04	SC9608-L11	SC9609-L04/1	pressure screw
4	FE1414-01	FE1520-01	FE1527-01	FE2726-01	pressure spring
5	KU1005-ST	KU1006-ST	KU1007-ST	KU1008-ST	ball
6	SK0701-2L/TI	SK0702-2L/TI	SK0703-2L/TI	SK0705-2L/TI	upper part, left lateral or right medial, straight, titanium
6	SK0701-2R/TI	SK0702-2R/TI	SK0703-2R/TI	SK0705-2R/TI	upper part, left medial or right lateral, straight, titanium
7	SK9801-E005	SK9802-E005	SK9803-E005	SK9805-E005	5° extension stop
8	SK0771-*	SK0772-*	SK0773-*	SK0775-*	locking pawl*
9	SK0492-ST	SK0492-ST	SK0495-ST	SK0495-ST	lever extension
10	GS1807-**	GS2009-**	GS2210-**	GS2411-**	sliding washer**
11	SK0711-L/TI	SK0712-L/TI	SK0713-L/TI	SK0715-L/TI	lower part, left lateral or right medial, straight, titanium
11	SK0711-R/TI	SK0712-R/TI	SK0713-R/TI	SK0715-R/TI	lower part, left medial or right lateral, straight, titanium
11	SK0731-L/TI	SK0732-L/TI	SK0733-L/TI	SK0735-L/TI	lower part, left lateral or right medial, bent inwards, titanium
11	SK0731-R/TI	SK0732-R/TI	SK0733-R/TI	SK0735-R/TI	lower part, left medial or right lateral, bent inwards, titanium
12	FE1407-01	FE1411-02	FE1411-02	FE1411-02	pressure spring
13	SK0771-20	SK0772-20	SK0773-20	SK0775-20	locating pin for adjusting the permanent unlock function
14	SK0781-2L/TI	SK0782-2L/TI	SK0783-2L/TI	SK0785-2L/TI	5° flexion stop disc with sliding bushing, 5°-30°, left lateral or right medial, titanium
14	SK0781-2R/TI	SK0782-2R/TI	SK0783-2R/TI	SK0785-2R/TI	5° flexion stop disc with sliding bushing, 5°-30°, left medial or right lateral, titanium
14a	BP0807-L056	BP1009-L065	BP1110-L078	BP1211-L090	sliding bushing
15	SK0761-2L/AL	SK0762-2L/AL	SK0763-2L/AL	SK0765-2L/AL	cover plate, left lateral or right medial, aluminium
15	SK0761-2R/AL	SK0762-2R/AL	SK0763-2R/AL	SK0765-2R/AL	cover plate, left medial or right lateral, aluminium
16	SC1404-L12	SC1404-L12	SC1404-L14	SC1405-L14	countersunk flat head screw with hexalobular socket
17	SC1404-L12	SC1405-L12	SC1405-L14	SC1406-L14	countersunk flat head screw with hexalobular socket (axle screw)
w/o fig.	SK0492-VS	SK0492-VS	SK0493-VS	SK0493-VS	connecting tube for lever extension
w/o fig.	SC0403-L08	SC0403-L08	SC0403-L10	SC0403-L10	pan head screw for exchanging extension stops

* Locking Pawls				
12mm	Article Number for System Width			20mm
	14mm	16mm	16mm	
SK0771-L/025	-	-	-	SK0775-L/025
SK0771-L/038	SK0772-L/038	SK0773-L/038	SK0773-L/038	SK0775-L/038
SK0771-L/050	SK0772-L/050	SK0773-L/050	SK0773-L/050	SK0775-L/050
SK0771-L/063	SK0772-L/063	SK0773-L/063	SK0773-L/063	SK0775-L/063
-	SK0772-L/075	SK0773-L/075	SK0773-L/075	SK0775-L/075
-	SK0772-L/088	SK0773-L/088	SK0773-L/088	SK0775-L/088
-	SK0772-L/100	SK0773-L/100	SK0773-L/100	-

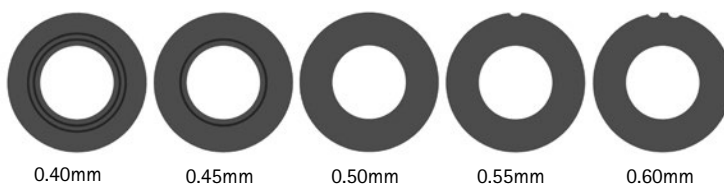


The locking pawls are marked with the last three digits of the article number. The larger the number, the longer the locking pawl. Please, note and respect when reordering: mount the next longer locking pawl if there is any play resulting from usage.

If you need a locking pawl for right lateral or left medial as opposed to a locking pawl for left lateral or right medial listed here, you have to replace the L in the article number with an R. *Example:* SK0775-R/025.

** Sliding Washers				
12mm	Article Number for System Width			20mm
	14mm	16mm	16mm	
Ø = 18mm	Ø = 20mm	Ø = 22mm	Ø = 22mm	Ø = 24mm
GS1807-040	GS2009-040	GS2210-040	GS2210-040	GS2411-040
GS1807-045	GS2009-045	GS2210-045	GS2210-045	GS2411-045
GS1807-050	GS2009-050	GS2210-050	GS2210-050	GS2411-050
GS1807-055	GS2009-055	GS2210-055	GS2210-055	GS2411-055
GS1807-060	GS2009-060	GS2210-060	GS2210-060	GS2411-060

The last three digits of the article number stand for the thickness of the sliding washer, e.g. GS1407-040. The thickness of this sliding washer is 0.40mm. In total, the sliding washers are available in five different thicknesses. The thickness of a sliding washer is indicated by the markings. For example, a sliding washer with two notches is 0.40mm thick, whereas a sliding washer with one notch is 0.55mm thick.



➔ You will find system side bars and system anchors on catalogue page I1ff.

NEURO LOCK

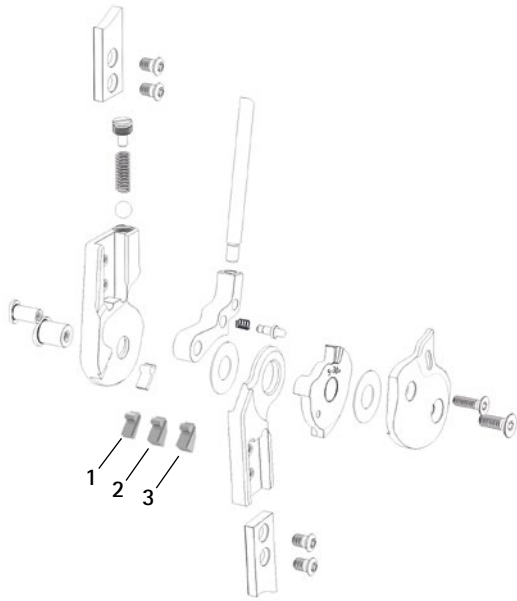
NEURO LOCK MAX

NEURO FLEX MAX  
Lock Function

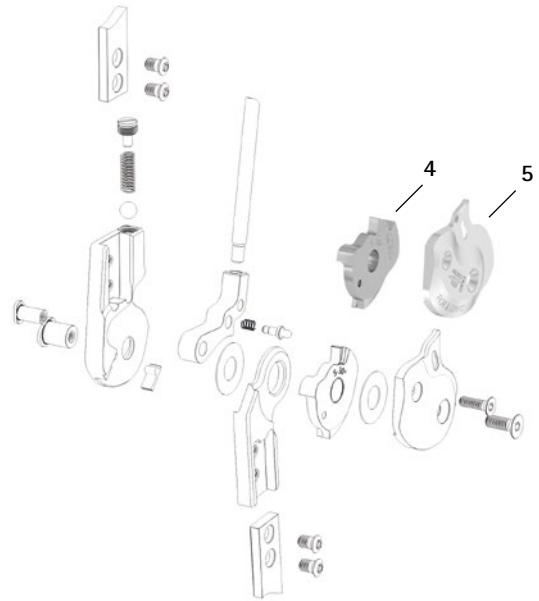
NEURO FLEX MAX  
Step Lock Function

NEURO LOCK H<sub>2</sub>O

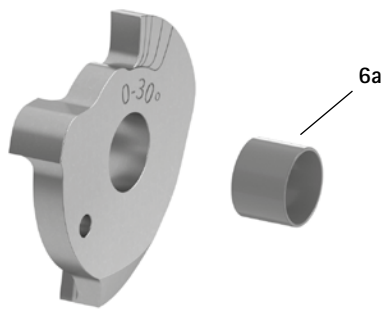
Extension Stops



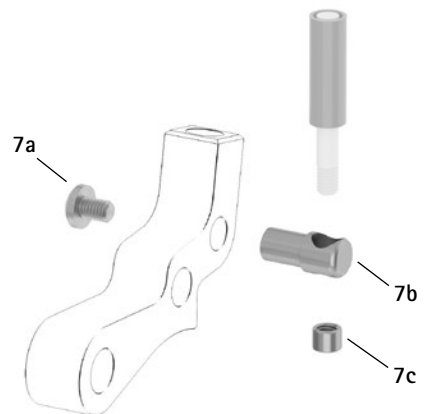
Flexion Stop Disc and Cover Plate for Alternative Function



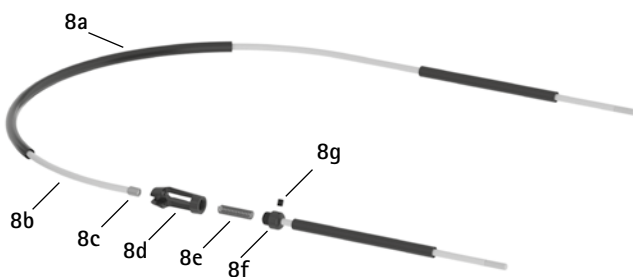
0° Flexion Stop Disc with Sliding Bushing, Preassembled (6)



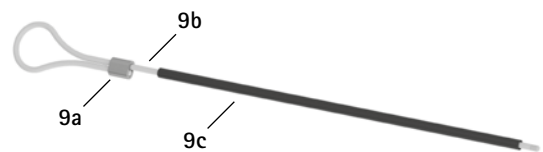
Pulling Cable Adaptor (7)



Pulling Cable, Separable (8)



Pulling Cable, Unilateral (9)



Accessory Parts					
Item	Article Number for System Width				Description
	12mm	14mm	16mm	20mm	
1	SK9801-E010	SK9802-E010	SK9803-E010	SK9805-E010	10° extension stop
2	SK9801-E020	SK9802-E020	SK9803-E020	SK9805-E020	20° extension stop
3	SK9801-E030	SK9802-E030	SK9803-E030	SK9805-E030	30° extension stop
1-3	SK9801	SK9802	SK9803	SK9805	set of stops, 10°, 20°, 30° extension stops (1 of each)
4	SK0741-2L50F	SK0742-2L50F	SK0743-2L50F	SK0745-2L50F	5° flexion stop disc AF with sliding bushing, 5°-30°, left lateral or right medial, titanium
4	SK0741-2R50F	SK0742-2R50F	SK0743-2R50F	SK0745-2R50F	5° flexion stop disc AF with sliding bushing, 5°-30°, left medial or right lateral, titanium
4	SK0741-L50F	SK0742-L50F	SK0743-L50F	SK0745-L50F	0° flexion stop disc AF with sliding bushing, 0°-30°, left lateral or right medial, titanium
4	SK0741-R50F	SK0742-R50F	SK0743-R50F	SK0745-R50F	0° flexion stop disc AF with sliding bushing, 0°-30°, left medial or right lateral, titanium
5	SK0761-4L/AL	SK0762-4L/AL	SK0763-4L/AL	SK0765-4L/AL	cover plate AF, left lateral or right medial, aluminium
5	SK0761-4R/AL	SK0762-4R/AL	SK0763-4R/AL	SK0765-4R/AL	cover plate AF, left medial or right lateral, aluminium
6	SK0781-L/TI	SK0782-L/TI	SK0783-L/TI	SK0785-L/TI	0° flexion stop disc with sliding bushing, 0°-30°, left lateral or right medial, titanium
6	SK0781-R/TI	SK0782-R/TI	SK0783-R/TI	SK0785-R/TI	0° flexion stop disc with sliding bushing, 0°-30°, left medial or right lateral, titanium
6a	BP0807-L056	BP1009-L065	BP1110-L078	BP1211-L090	sliding bushing
7	ZS3701	ZS3702	ZS3703	ZS3705	pulling cable adaptor
7a	SC4303-L04	SC4303-L04	SC4303-L04	SC4304-L08	pan head screw with cross recess H
7b	ZS0324-06	ZS0324-07	ZS0324-08	ZS0326-10	pulling cable holder
7c	ZS0233	ZS0233	ZS0233	ZS0235	threaded sleeve
w/o fig.	ZS1000-L400*	ZS1000-L400*	ZS1000-L400*	ZS1000-L400*	pulling cable, nylon cable with cover, 400mm*
w/o fig.	ZS1000-L500*	ZS1000-L500*	ZS1000-L500*	ZS1000-L500*	pulling cable, nylon cable with cover, 500mm*
w/o fig.	ZS1000-L600*	ZS1000-L600*	ZS1000-L600*	ZS1000-L600*	pulling cable, nylon cable with cover, 600mm*
w/o fig.	ZS1000-L700*	ZS1000-L700*	ZS1000-L700*	ZS1000-L700*	pulling cable, nylon cable with cover, 700mm*
8	ZS1100-L400*	ZS1100-L400*	ZS1100-L400*	ZS1100-L400*	pulling cable, separable through coupler, 400mm*
8	ZS1100-L500*	ZS1100-L500*	ZS1100-L500*	ZS1100-L500*	pulling cable, separable through coupler, 500mm*
8a	ZS0102	ZS0102	ZS0102	ZS0102	cable cover, 1000mm long
8b	ZS0002	ZS0002	ZS0002	ZS0002	nylon cable, 1000mm long
8c	ZS0235	ZS0235	ZS0235	ZS0235	threaded sleeve
8d	VE0101-AL	VE0101-AL	VE0101-AL	VE0101-AL	coupler case, aluminium
8e	FE1420-01	FE1420-01	FE1420-01	FE1420-01	pressure spring
8f	VE0102-AL	VE0102-AL	VE0102-AL	VE0102-AL	connecting screw for coupler
8g	SC9603-L03	SC9603-L03	SC9603-L03	SC9603-L03	headless pin with hexagon socket
8c-8g	VE1000-AL	VE1000-AL	VE1000-AL	VE1000-AL	coupler, aluminium
9	ZS1400-L600*	ZS1400-L600*	ZS1400-L600*	ZS1400-L600*	pulling cable with ferrule for unilateral lock, nylon cable with cover, 600mm long*
9a	ZS0403-AL	ZS0403-AL	ZS0403-AL	ZS0403-AL	ferrule for 3mm nylon cable, aluminium
9b	ZS0001-L600	ZS0001-L600	ZS0001-L600	ZS0001-L600	nylon cable with thread
9c	ZS0102-L500	ZS0102-L500	ZS0102-L500	ZS0102-L500	cable cover, 500mm long

\* You need one pulling cable adaptor for each locking pawl to mount a pulling cable on.





# NEURO TRONIC – Electromechanical Stance Phase Control



splashwater-protected  
according to IP44

